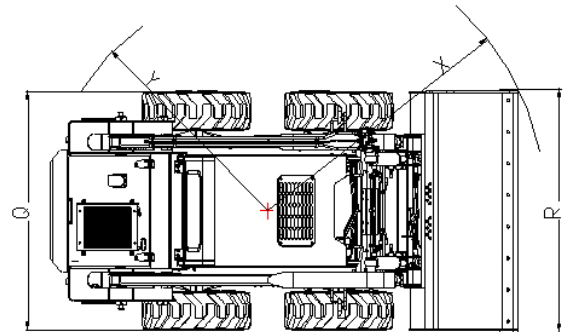
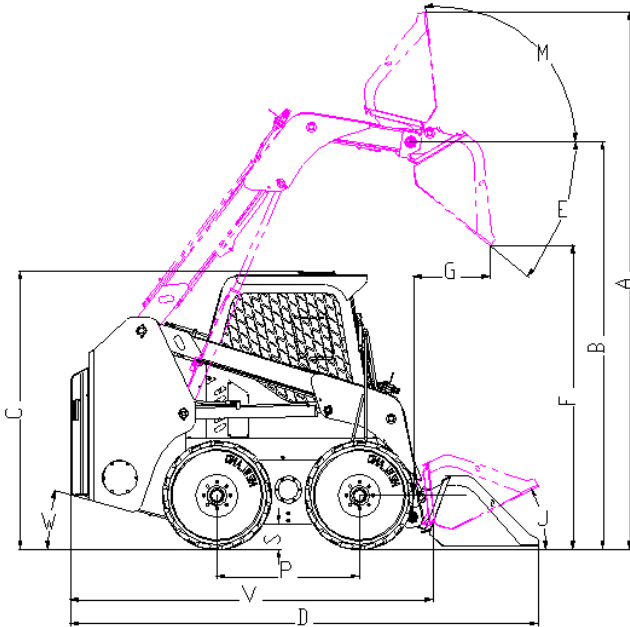


W775



General					
Operating height-full lift A	4091 (mm)	161.06 (in)	Articulation height-full lift B	3102 (mm)	122.13 (in)
Ceiling height C	2108 (mm)	82.99 (in)	Overall length-with bucket D	3561 (mm)	140.2 (in)
Downturn angle-full lift E	40(°)	40 (°)	Dump height F	2316 (mm)	91.18 (in)
Dump reach at bucket discharge G	580 (mm)	22.83 (in)	Rising angle J	30 (°)	30 (°)
Max Rising angle M	98.5(°)	98.5 (°)	Wheelbase P	1085 (mm)	42.71 (in)
Overall width-without bucket Q	1815 (mm)	71.46 (in)	Bucket width R	1850 (mm)	72.83 (in)
Ground clearance S	200 (mm)	7.87 (in)	Overall length-without bucket V	2767 (mm)	108.94 (in)



Departure angle W	22.8 (°)	22.8 (°)	Turning radius-with bucket X	2121 (mm)	83.5 (in)
Turning radius-without bucket Y	1694 (mm)	66.69 (in)			
Engine					
Engine Power	61.3 (kw)	82.2 (HP)	Max torque/speed	280/(1500~1650) (Nm/r)	280/(1500~1650) (Nm/r)
Displacement	3.319 (L)	202.5 (in ³)	Fuel system	electric	
Hydraulic system					
Hydraulic flow	85 (L/min)	18.7 (GPM)	Pressure	21 (Mpa)	3045 (Psi)
Fuel tank capacity	83 (L)	18.3 (GPM)	Walking control	Hydraulic pilot	Hydraulic pilot
Rated operating capacity					
Rated operating capacity	1000 (kg)	2205 (lb)	Tipping load	2000 (kg)	4409 (lb)
Operating weight	3800 (kg)	8378 (lb)	Standard travel speed	12 (km/h)	7.45 (mile/h)