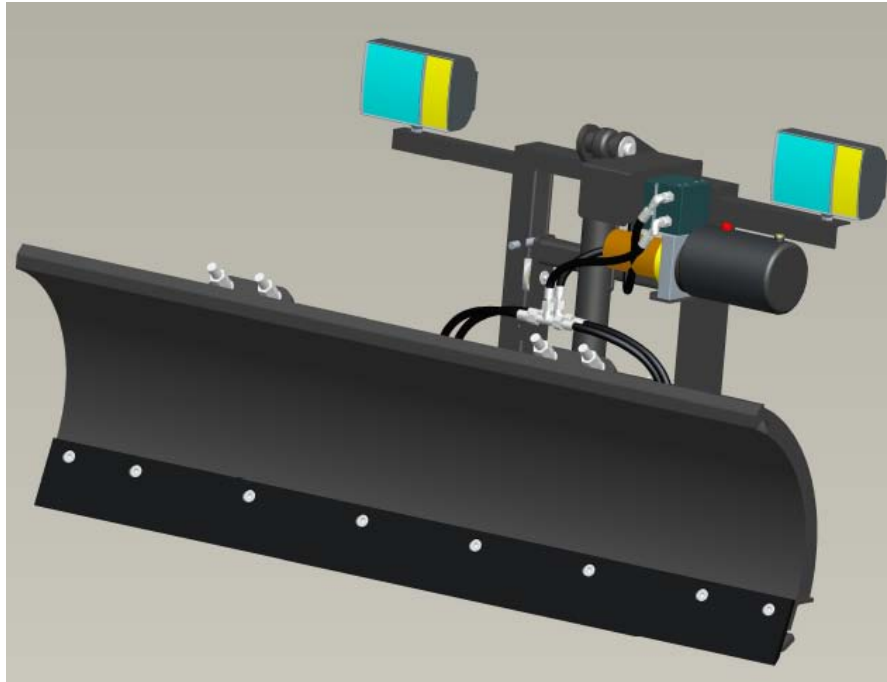


Series T0472 Pickup Snow Shovel

I. Picture



II. Main technical parameters:

Technical Parameters of Pickup Snow Shovel	
Model	T0472
Total width (mm)	1830
Total length (mm)	880
Shovel height (mm)	557
Total height (mm) (excluding lamps)	917
Total height (mm) (including lamps)	996
Swing angle of shovel (hydraulic) (°)	±30
Width upon bevel at 30° gradient (mm)	1585
Height for avoiding obstacle (mm)	• 80
Allowable maximum pressure (Mpa)	20
Weight (including rack) (kg)	272
Hanging and installing model	Pickup

II. Structural characteristics of the product



1. Equipped with a swing and lift cylinder which are driven by an independent hydraulic unit and controlled by a solenoid valve.
2. Reinforced steel structure and replaceable bottom wear-resistant edge plate. The edges of the shovel are connected to the shovel with bolts, allowing convenient and efficient replacement and maintenance.
3. Automatic turn-over design for avoiding obstacles. It will automatically turn over when an obstacle is encountered, ensuring there is no damage to the machine parts. After the obstacle has been passed, the shovel plate will automatically return under the action of the spring.
4. A vertical lifting structure which always keeps the shovel horizontal when pushing or lifting after the shovel swings by 30°, with more convenient operation and higher work efficiency.

Note: HCN products are constantly updated and improved for users. Rights to change the parameters and design are reserved without notifying the users in advance. In case of possible appearance and color differences between the products shown in the pictures and the actual products, the actual one shall prevail.