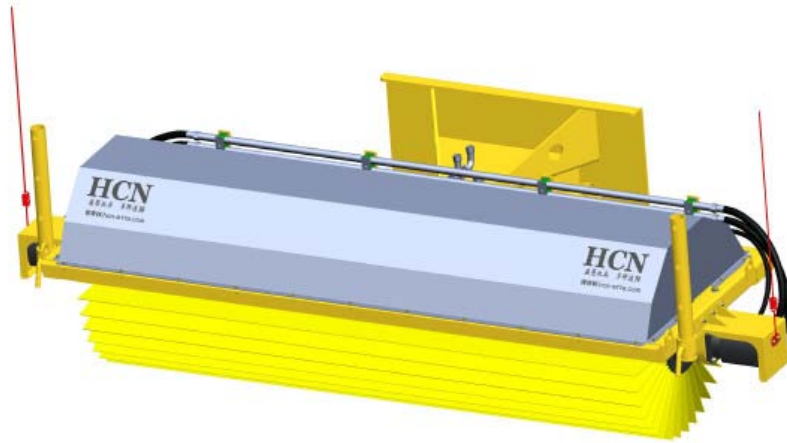


Series BM11 Bevel Sweeper

I. Picture:



II. Main technical parameters of product:

Technical Parameters of Bevel Sweeper	
Model	BM1196
Total length (mm)	1522
Total width (mm)	3276
Total height (mm)	1430
Total weight (including hanging parts) (Kg)	680
Sweeping width (mm)	2570
Swing angle (°)	±30° (mechanical)
Sweeping width after the swing of 30° (mm)	2250
Brush roller diameter (mm)	• 800
Maximum allowable pressure (Mpa)	20
System flow (L/Min)	130~160
Hanging and installing model	2 t / 3 t loader

III. Main characteristics of product

Capable of cleaning snow and dirt from streets, squares, and roads quickly without causing damage to the



pavement of roads; characterized by convenient installation, flexible use, high work efficiency, reliable quality, outstanding performance, and so on.

1. With large-diameter polypropylene and steel wire mixed brush roller, mainly used for removing natural loose snow, with the advantages of wear resistance, high elasticity, and bending resistance without causing damage to the road surface.

2. Capable of swinging left and right for snow removal with an adjustable swing angle of $\pm 30^\circ$ to change the sweeping direction.

3. Stainless steel upper cover with a beautiful and elegant appearance, reducing the weight of the product, thereby reducing the load on the main equipment.

4. Visual wide leveling poles are provided on both ends of the roller brush for convenience of operation by the operators.

5. The client shall independently install the position limiter for bucket tilt-back and the skip bucket as per the condition of the main equipment.

Note: HCN products are constantly updated and improved for users. Rights to change the parameters and design are reserved without notifying the users in advance. In case of possible appearance and color differences between the products shown in the pictures and the actual products, the actual one shall prevail.