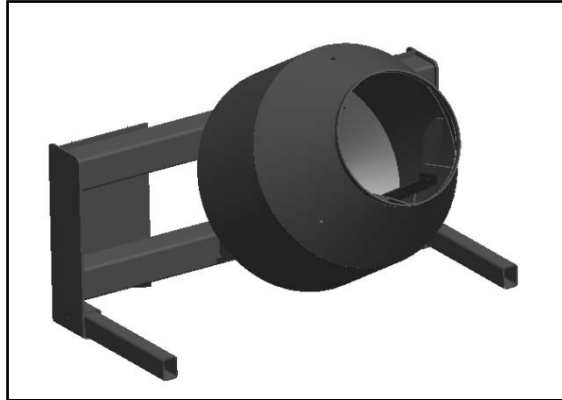


## Series 030401 Blender

### I. Picture



### II. Technical parameters:

Technical parameters of blender	
Model	030401
Total length (mm)	1008
Total width (mm)	1232
Total height (mm)	906
Roller volume (m <sup>3</sup> )	0.17
Output of one tank (m <sup>3</sup> )	0.1
Mixing speed (variable) (R/Min)	5-30
Hydraulic flow (L/Min)	40-80
Allowed maximum pressure (Mpa)	21
Weight (including hanging parts) (Kg)	231
Applicable model	Skip and small loader

### III. Product features

Compared with traditional individual blenders, the product will blend, transport, and mix cement faster. The compact appearance of the cement mixer enables easy operation for foundations and floors in sidewalks, lanes, decorations, and small buildings. The mixing drum can rotate in any direction.

Note: HCN products are constantly updated and improved for users. Rights to change the parameters and design are reserved without notifying the users in advance. In case of possible appearance and color



## BeyondTech Machinery Co., Ltd.

---

differences between the products shown in the pictures and the actual products, the actual one shall prevail.