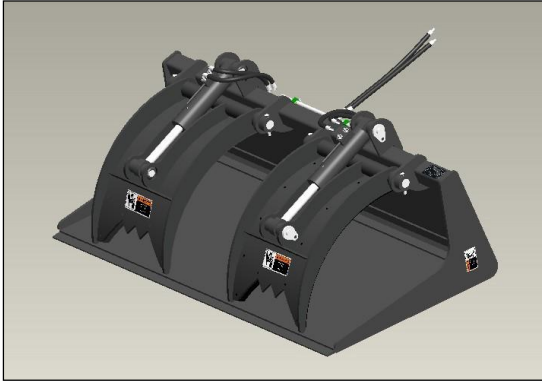


0403 series Grapple Bucket



Main parameter:

Model;	040372	040384
Over length (in)	36	36
Over width(in)	72	84
Height when close (in)	28	28
Height when open (in)	36	36
Grapple distance (in)	31	31
Weight (lbs)	1202	1278
Hydraulic Flow (L/Min)	20-30	20-30
Operating pressure (psi)	3045	3045
Suitable for machine	Skid Steer Loader/Small wheel loader	

Main features:

1、 This attachment can shovel, transport, load and catch loose materials. It is suitable for construction waste, recycling cardboard, metal waste and other occasions.

2、 Please install limit blocks according to the machine when fit the small wheel loader



Manu

CATALOGUE

I.	Safety Instruction	2
II.	Products Instruction	3
III.	Operation Instruction.....	4
IV.	Maintenance Instructions	5
V.	Storage Instructions	6

I. **Safety Instruction**

1. Before the installation, please be sure to read the manual

Operation and maintenance personnel must be carefully reading and familiar with manual before the installation, operation, and maintenance attachments, improper installation, operation, and maintenance attachments will likely lead to serious injury or death.

2. Read and understand all safety statement

- ※ Reading familiar with all safety mark and security statement before working ;
- ※ Operation comply with all occupational safety regulations, local laws and regulations and other professional guidelines;
- ※ Assembly, maintenance, operation follow the good work habits.

3. Be familiar with attachments

- ※ Familiar with and understand before operation machine performance and parameter;

- ※ Be carefully inspection machine before working , be sure that all devices debugging when normal before we can carry out the homework;
- ※ Ensure that the machine is installed firmly, change may have damaged parts, ensure that all hydraulic joint and hydraulic devices connected firmly;
- ※ Ensure that all safety mark stick in the correct position and mark font clear.

4. Wear protective clothing

Operation to wear safety clothing, wear protective glasses or mask to prevent operation is splash content cause harm to human body.

5. Don't in any form of machine modified

6. Safe maintenance of machine

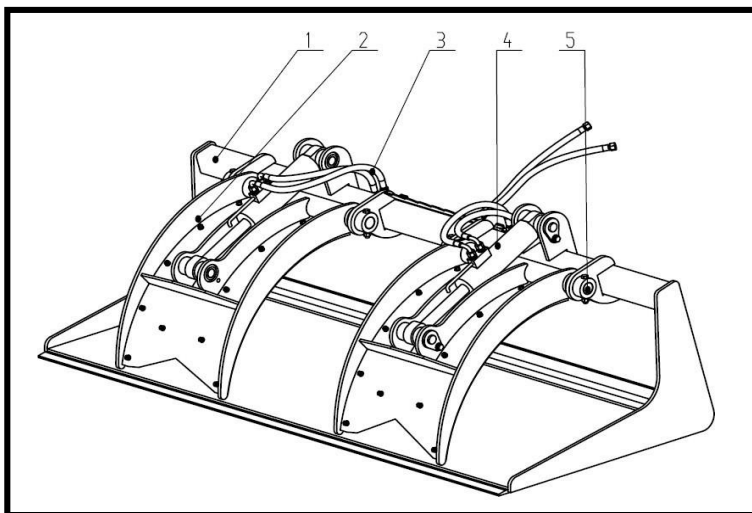
- ※ Maintenance tools must be down to level the ground, far away from the traffic and other dangerous places.
If you need rises machine maintenance, must use solid objects can cushion for leaning on stability;
- ※ Maintenance should be according to the operating procedures require the use of special tools. If there is no special tools, can use a similar tool, in ordinary tools can make the parts have this or that kind of damage, it is necessary to use a special tool.

7. Safe operation of a machine

- ※ A drunk or drug response of cases do not operate;
- ※ If anyone enter the homework risk area, should immediately stop machine operation, stop operation, please will machine flat on the ground.

II. Products Instruction

1、 product structure :



①—Bucket; ②—clamp arm I ; ③—hydraulic part; ④—cylinder; ⑤—rotating shaft。

2、 Technical Performance:

Grapple Bucket			
Model	040360	040372	040384
Overall length (in)	36	36	36
Overall width (in)	60	72	84
Close height (in)	28	28	728
Open height (in)	36	36	36
Overall weight (lbs)	1135	1202	1278

III. Operation Instruction

This grapple bucket install on front of skid steer loader, it uses for bulk material shoveling and transporting according to loader's forward driving, details operation as following :

- 1 Connect grapple and host machine with hitch frame, then connect hydraulic tubes.
- 2 Start host machine, adjust grapple working height toward bulk material, and then operate host machine to provide hydraulic oil to grapple and make grapple arms open max. distance.
- 3 Driving forward of host machine, step on gas appropriately, then move forward to shovel and clamp bulk material together .
- 4 After working, straighten grapple and make blade plate on ground, close grapple working arms and stop host machine, to finish this work.

IV. Maintenance Instructions

- 1, Thoroughly clean all the surface soil, dirt and grease.
- 2, Check the visible signs of wear and tear, damage or damaged parts necessary repair, in order to avoid the influence is used next time.
- 3, Check all bolt, nut and screw, screw down all the slack nut, nut and screw.
- 4, Check the hydraulic system and tighten all slack line connection.
- 5、 All the leakage of oil cylinder rod grease.
- 6、 All lubricating points charging butter.
- 7、 Replace damaged or vague marking label.
- 8、 If the paint is off or damage, please timely touch-up, prevent rust.

V. Storage Instructions

1. Warehousing, machines and tools on the diaphragm, the direct contact with the ground.

2. Should be stored in a dry and safe place, exposed will shorten the service life of equipment.
3. Hydraulic pipeline oil mouth cap closed up.
4. All the leakage of cylinder rod grease.
5. Regular maintenance, the maintenance of the machine

