



HCN ATTAMCHMENTS CONTENT YOUR NEED

PRODUCT USER'S MANUAL

Product model: 040510 Bale handler

Preparation date: 2024.6.26

Our contact information:

Address: No.1 Huake Road, Xuzhou Economic and
Technological Development Zone,
Xuzhou, China

Postcode: 221004

Tel: 0516-66881280 66881281

Fax: 0516-66881272

Website: <http://www.hcn-atta.com>

XUZHOU HCN ATTACHMENT MANUFACTURE CO., LTD.

Warm reminder:

Please read the manual carefully before installing and using the product.

CATALOGUE

1. Safety Instruction	2
2. Products Instruction	4
3. Operation Instruction	5
4. Maintenance Instructions	8
5. Storage Instructions	10

One. A safety note

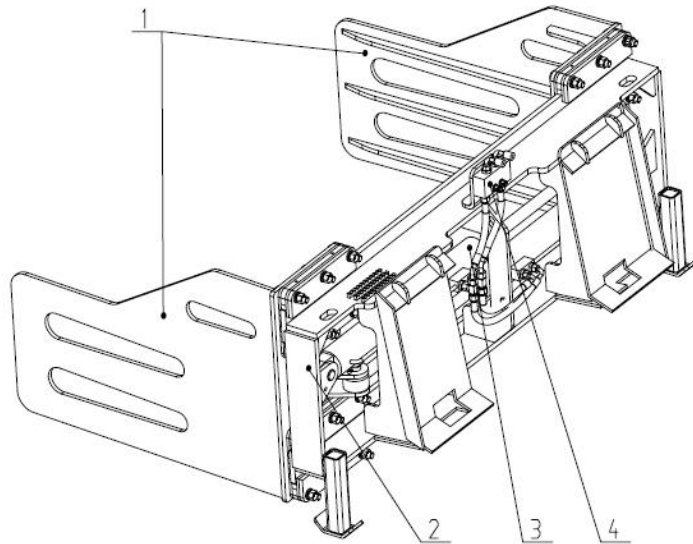
- (1) Please read the instruction manual carefully before using this equipment to avoid personal injury.
- (2) Before using this equipment, please know the production or working capacity, size and size of the equipment operating steps.
- (3) It is used for handling various forms of soft bag goods, such as rags, waste paper, cotton, wool, hay, industrial scraps and other soft bags.
- (4) Hydraulic oil under high pressure, if the leakage will cause personnel injury or even death, the operator should try as far away from the oil pipe joint that may leak.
- (5) Do not modify the equipment at will, so as not to cause the performance, safety and reliability reduction.
- (6) Working environment requirements of the equipment; flat ground and wide vision.
- (7) The clamp range of this type of soft double clip is 500-1500mm, and the maximum weight of the clamp object is 600kg.

(8) The operator shall ensure that there is no one around the equipment;
(9) The operator is not allowed to leave when the equipment is in operation.
(10) When starting work, the work area should be isolated and miscellaneous people or livestock should be prohibited.
(11) Do not run this device on the steep uphill to avoid tipping.
(13) Operators shall not operate the machine while drunk, otherwise it will reduce the ability to judge danger signals.

- (14) When the operator leaves the host, the machine should be lowered to the ground, and then close the host engine and pull out the key.
- (15) Check all the fasteners and ensure that there is no loosening phenomenon. The damaged parts should be replaced in time. Check whether all the warning labels are clean and clear. If there is any damage, they should be replaced in time.

Two . Description of the product structure

1. product mix



- (1) -Left and right clamp arm (2) -main frame (3) -clamp cylinder (4) -two-way hydraulic lock

2. Technical performance indicators:

model	040510
cabinet minister (mm)	1200
overall height (mm)	735
total width (mm)	1630
weight (Kg)	380
working pressure (MPa)	16-21
Clip range (mm)	500-1500
System traffic (L/min)	30-60
maximum load (Kg)	600
Adapted models	Skid steer loader /small loader

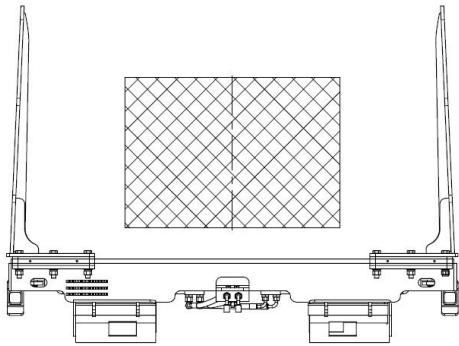
Three. operation declaration

- (1) After connecting the machine with the main engine, connect the inlet and outlet oil pipe of the clamping cylinder and the inlet and oil return pipe on the main engine controlling the soft clamp, connect the pressure oil,

and observe whether the clamp arm is flexible to realize the clamping and opening action;

(2) When clamping the object, visually check whether the weight and width of the object are within the range of the soft clip can be held, and whether the clamped item is suitable for inclusion, so as not to be damaged by the clip.

(3) After understanding the width and weight of the object, the operator should adjust the opening distance of the soft clamp arm, and make the center line of the soft clip as far as possible at the center line of the width of the object, to prevent the center of gravity of the object after the clamp, affecting the stability of the host.(As shown below.)



(4) The host in the process of the clamp of goods, should make the goods as close as possible to the ground as possible, in order to reduce the height of the center of gravity of the goods, increase the stability, the operator should try to prevent the host from turning sharply, to prevent the goods from sliding out when turning.

(5) Timely clean up the debris on the track surface, apply butter, to ensure that the track surface is clean.

(6) Regularly check the wear of nylon board, if the normal clamp work, should be replaced in time.

Four. maintenance instruction

Regular maintenance is the key to maintain the long life and safe work of the machine. The maintenance items described below are more important.

- (1) Check whether all the fasteners are loose, and tighten them in time.
- (2) Check the hydraulic system of the machine for leakage. If you want to replace the leaked tubing joint or pipe in time.
- (3) Check whether the parts on the equipment are damaged, whether the solder joints are cracked, and repair if necessary.
- (4) According to the actual situation, the position of the nylon board can be replaced regularly to make the nylon board wear uniform.
- (5) In the maintenance work, be sure to close the host engine, and hang a warning board with "in repair" in the more obvious position of the host, to prevent others from approaching.
- (6) When the parts need to be replaced, only the parts approved by the manufacturer can be replaced.

Please pay attention to the protection of the product nameplate, the product nameplate is incomplete or lost will not be guaranteed.

Five. storage instructions

- (1) After completion, all debris, dirt and grease from the machine should be removed.
- (2) The implement shall be stored in a dry and non-corrosive environment to avoid corrosion on its surface.
- (3) When the machine is placed, there should be a fixed positioning bracket, so that the next time, the host is convenient to connect the machine.