



HCN ATTAMCHMENTS CONTENT YOUR NEED



PRODUCT OPERATION MANUAL

Our contact information:

Address: No.1, Huake Road, Xuzhou Economic and
Technological Development Zone

Zip code : 221000

Phone: 0516-66881280 66881281

FAX: 0516-66881272

Website: www.hcn-atta.com

Product model: 031004Concrete mixing bucket

Preparation date: 2024.05.30

XUZHOU HCN ATTACHMENT MANUFACTURE CO., LTD.

**★Tips: Please read the user manual carefully before product
installation and use**

CATALOGUE

1.Safety instructions	2
2.product description	3
3.operation notice	4
4.maintenance instruction	5
5.Storage instructions.....	6

Safety instructions

1. Read this manual carefully before installation

Operation and maintenance personnel must carefully read and be familiar with the manual before installing, operating and maintaining the machine. Incorrect installation, operation and maintenance of the machine may lead to serious injury or death

2. Read and understand all of the safety claims

※ Read and familiarize yourself with all safety markers and safety statements before work;

※ Compliance with all occupational safety regulations, local laws and regulations and other professional guidelines;

※ Follow good working habits during assembly, maintenance and operation.

3. Familiar with machines and tools

※ Be familiar with and understand the performance and parameters of the machine before operation;

※ Before operation to carefully check the machines and tools, when all the devices are adjusted debugging can be operated;

※ Ensure that the machine is firmly installed, replace the parts that may be damaged, and ensure that all hydraulic joints and hydraulic devices are firmly connected;

※ Ensure all safety markers are in the correct position and are clear.

4.Wear protective clothing

Wear safety clothing and protective goggles or mask during operation to prevent splashes from causing damage to the human body during operation.

5. Do not modify the machine in any form

6. Safe to repair machines

- ※ During maintenance, the machine must be lowered to the horizontal ground and far away from traffic and other dangerous places; if the machine needs to be raised for maintenance, a solid object must be used in advance;
- ※ Special tools shall be used during maintenance according to the operating procedures. If there are no special tools, some similar tools can be used, and whenever any ordinary tools can cause the parts of this or that damage, the special tools must be used.

7. Safe to operate the machine

- ※ Do not operate if you are drunk or taking medication;
- ※ If someone enters the operation danger area, you should immediately stop the operation of the machine. Stop the operation, please put the machine flat on the ground.

Product description

1、 Product structure description (Figure 1):

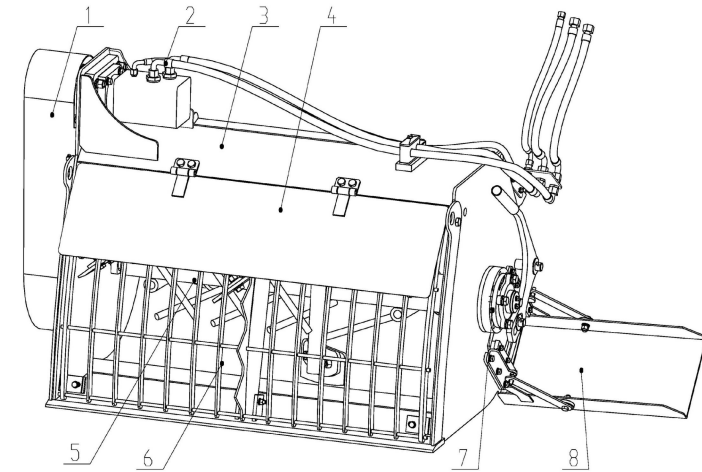


Figure 1

1-gear cover; 2-hydraulic system; 3-bucket body; 4-cover plate (accessories); 5-strlong; 6-fence; 7-bearing seat; 8-discharge tank.

2、 Technical performance indicators:

Model	031004
Total length (mm)	1170
Total Width (mm)	1835
Total height (mm)	1215
Inside wide (mm)	1200

A bucket of production (m ³)	0.45
Total product weight (Kg)	592
Full bucket weight (Kg)	1880
Rotation rate (r/min)	28-50
System traffic (L/min)	60-110
System pressure (MPa)	16-21

Adapter model: skid steer loader

Notes: ① The stone particle size of concrete raw material is less than 20mm;
 ② The capacity of each mixing material shall be determined by the customer according to the actual lifting capacity of the host and the weight of concrete in the table below.

Concrete model	C20	C25	C30
weight Kg/m ³	2396	2400	2430

Attachment: The product is constantly updated and improved, and we reserve the right to change the parameters and design without informing the user in advance. There may be differences between the appearance of the product in the photo and the actual product, and the actual object shall prevail.

operation declaration

This machine is installed in front of the loader, relying on the loader for loading operation, and relying on the loader to provide power for mixing operation. The mixing bucket structure is reasonable and suitable for construction site, road and other construction types. The specific operations

are performed as follows:

Note: Please add according to the situation of the host (bucket, bucket) limit block!

1. Connect the concrete mixing bucket to the main engine and attach the hydraulic line (will enter and exit oil The pipe and unloading pipe are connected with the oil inlet and unloading outlet of the main engine).
2. The bucket dragon paddle is designed as a long-round hole, adjustable, and can flexibly adjust the spacing between the paddle and the bottom and the side plate according to the actual use.
3. Turn on the main engine power switch and adjust the direction and Angle of the mixing bucket.
4. Before loading the material, ensure that the unloading port is closed and the mixing paddle reaches the normal speed. The quantity of loading materials (① main driven mixing bucket (as shown in Figure 2) and the filling material of ② manual packing) should be equal with the working diameter of the cutter, and should not be too much. After filling the material, the water into the bucket should be evenly sprinkled on the material, drive the host hydraulic system to stir the bucket for the oil drive the material, if the stirring process, the material attached to the surface into the diameter of the bucket, please the driver operating host arm adjust the hopper Angle, so that the edge of the

material fall into the working range of the paddle. In order to prevent the concrete from splashing during the mixing process, the cover plate (optional accessories) can be used for shielding. The mixing material shall not exceed the rated capacity of the mixer. It is strictly prohibited to feed before starting to prevent the mixing blade from stopping.(Note: The direction shown by the arrow in Figure 2 is the direction of the dragon rotation.)

Figure 2: Main engine drive loading

5. When the material is stirred evenly, ① the dump ② drive blade from the fence net counterclockwise to open the discharge tank until the discharge is complete.
6. Repeat 4 operations before work completion.
7. After completing the work, the residual concrete at the bottom of the mixing bucket should be cleaned up in time to prevent dry fixation and place the dry place for next use.

Maintenance instruction

1. Thoroughly clean all dirt, dirt and grease.
2. Check the visible signs of wear and repair the damaged or damaged accessories as necessary to avoid affecting the next use.
3. Check all bolts, nuts, and screws, and tighten all loose nuts, caps, and screws.

4. Check the hydraulic system and solenoid valve set and tighten all loose line connections.
5. All leaking oil cylinder rods are coated with grease.
6. All lubrication points (I, I,) shall be filled with butter (each shift in turn), and the gear cover shall be removed in I and II (Figure 3).

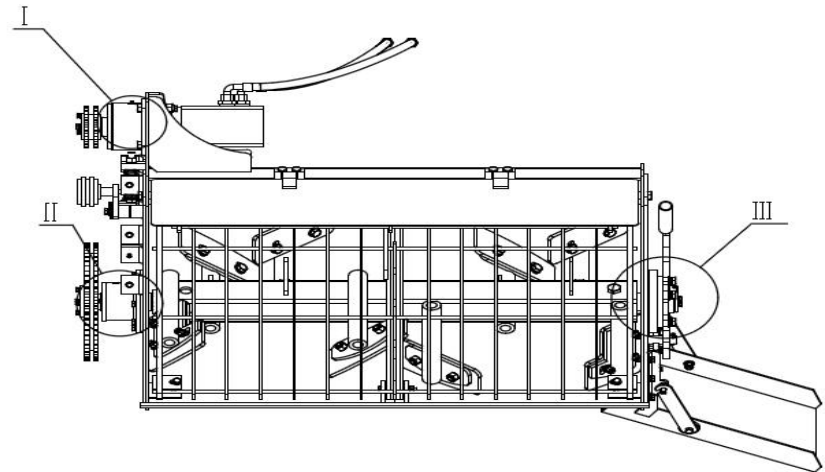


Figure 3: Butter filling position

7. The gear chain shall be filled with engine oil for lubrication every 3 months, and the sprocket tensioner shall be checked and adjusted regularly every 1 month to ensure the tension.
8. Replace the damaged or blurred labels.
9. If the paint surface is falling off or damaged, please repair the paint in time to prevent rust.

kindly reminder:

- ① **The daily maintenance of the machine can effectively extend the service life of the machine and improve the use efficiency of the products.**
- ② **When the parts need to be replaced, only the parts approved by the manufacturer can be selected.**
- ③ **Please pay attention to the protection of the product nameplate, the product nameplate is incomplete or lost will not be guaranteed.**

Storage instructions

1. When entering the warehouse, put the machine on the partition plate, and prohibit the direct contact with the ground.
2. Should be stored in a dry and safe place where exposure will shorten the life of the equipment.
3. The hydraulic line is closed with an oil port cap.
4. All leaky cylinder rods are coated with grease.
5. Maintain and maintain this machine regularly.



HCN ATTAMCHMENTS CONTENT YOUR NEED

Our contact information:

Address: No.1 Huake Road, Xuzhou Economic
and Technological Development Zone,
Xuzhou, China

Postcode: 221004

Tel: 0516-66881280 66881281

Fax: 0516-66881272

Website: <http://www.hcn-atta.com>



PRODUCT OPERATION MANUAL

Product Model: 0310A04 Concrete Mixing Bucket

Preparation date: 2018.9.1

XUZHOU HCN ATTACHMENT MANUFACTURE CO., LTD.

Warm reminder:

Please read the manual carefully before installing and using the product.

CATALOGUE

1. Safety Instruction	2
2. Product Structure Instruction	3
3. Operation Instruction	4
4. Maintenance Instructions	5
5. Storage Instructions	5

I. Safety Instructions

1. Always read this manual carefully before installation

Operators and maintenance personnel must read and familiarise themselves with the manual carefully before installing, operating or maintaining the machine. Improper installation, operation or maintenance of the machine will likely result in serious injury or death.

2. Read and familiarise yourself with all safety statements

- ※ Read and familiarise yourself with all safety marks and safety statements before working;
- ※ Follow all occupational safety regulations, local laws and regulations, and other guidelines for professionals when operating;
- ※ Follow good work practices when assembling, repairing, and operating.

3. Familiarise yourself with the machine

- ※ Familiarise yourself with the performance and parameters of the machine before operation;
- ※ Check the machine carefully before operation and make sure that all devices are properly adjusted;
- ※ Ensure that the machine is securely installed, replace any parts that may be damaged, and ensure that all hydraulic connectors and hydraulic devices are securely connected;
- ※ Ensure that all safety markings are in the correct place and that they are legible. 4. Wear protective clothing.

4. Wear protective clothing

Wear protective clothing and protective goggles or masks to prevent injury from splashing during operation. 5.

5. Do not modify the machine in any way.

6. Maintain the machine safely

- ※ When servicing the machine, lower the machine to a level surface and keep it away from traffic and other dangerous places. If the machine needs to be lifted for servicing, it must be stabilised with a solid object beforehand;
- ※ Use special tools as specified in the operating procedures. If you do not have a special tool, you can use a similar tool, but if a

common tool can cause this or that kind of damage to the parts, you must use a special tool.

7. Safe operation of equipment

- ※ Do not operate the machine if you are drunk or under the influence of drugs;
- ※ If someone enters the hazardous area of the operation, stop the operation of the machine immediately, and when stopping the operation, place the machine flat on the ground.

II. Product Description

1、 Product Structure Description (Figure 1):

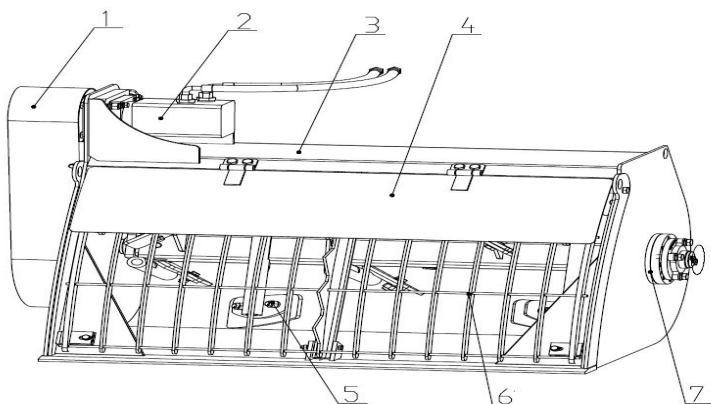


Figure 1

- 1- Gear cover; 2- Motor; 3- Bucket body; 4- Cover (optional);
5- Winch; 6-Fence; 7-Bearing seat;

2. Technical performance indicators:

Product Model	0310A04
Overall length (mm)	875
Overall width (mm)	1500
Overall height (mm)	1015
Bucket inner width (mm)	1200
Production capacity of one bucket (m ³)	0.45
Total weight of product(Kg)	550
Full bucket weight (Kg)	1880
Rotating speed (r/min)	28-50
System flow rate (L/min)	60-110
System pressure(MPa)	16-21

Applicable models: skid steer loaders

Note: ① concrete raw material stone size less than 20mm; ② each time the mixing capacity of the material by the customer according to the actual lifting capacity of the host computer and the weight of concrete per cubic metre of the following table to judge for themselves.

Concrete type	C20	C25	C30
Weight Kg/m ³	2396	2400	2430

P. S. The product is constantly updated and improved, we reserve the right to change the parameters and design without prior notice to the user, the appearance of the product in the photo may differ from the actual product,

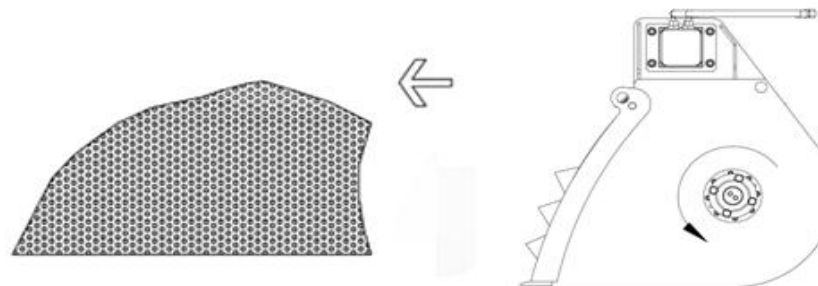
the specific in kind shall prevail.

III. Operation Instruction

This machine is installed in front of the loader, relying on the loader to travel for loading materials and relying on the loader to provide power for mixing operations. The mixing hopper has reasonable structure and is suitable for construction sites, roads and other construction types of work. The specific operation is as follows:

Note: Please ask the customer to add the limiting block (collecting bucket, tipping bucket) by themselves according to the host!

1. Connect the concrete mixing bucket to the main machine through the pendant, and connect the hydraulic pipeline (connect the inlet and outlet oil pipe, oil discharge pipe with the inlet and outlet oil port and oil drain port of the main machine).
2. The mixing bucket winch paddle is designed in the shape of a long round hole with adjustability, and the distance between the paddle and the bottom and side plates of the mixing bucket can be flexibly adjusted according to the actual use situation before use.
3. Turn on the power switch of the main machine and adjust the direction and angle of the mixing bucket.
4. Before filling materials, the mixing paddle should be made to reach the normal speed before loading, and the quantity of materials in the hopper should be equal to the working diameter of the mixing paddle and should not be too much when filling materials (① the host drives the mixing hopper to shovel the materials (as shown in Fig. 2); ② the manual filling). After filling the material, the water poured into the hopper should be evenly sprinkled on the material, and the hydraulic system of the driving host will supply oil to the mixing bucket to drive



the paddle to stir the material, if the material attached on the surface can not enter into the diameter range of the paddle of the mixing bucket, please ask the driver to operate the host to adjust the angle of the hopper, so as to make the edge of the material to fall into the range of the work of the paddle. In order to prevent the concrete from splashing during the mixing process, a cover plate (optional) can be used to cover it. The mixing material shall not exceed the rated capacity of the mixer, and it is strictly prohibited to load the material first and then start it, so as to prevent the mixing blades from suffocating and stopping. (Note: The direction shown by the arrow in Fig. 2 is the direction of rotation of the winch.)

Figure 2: Mainframe drive loading

5. In the process of material mixing, it is strictly prohibited to put your hand or tool into the hopper to pick up and discharge the material. When the material is evenly mixed, the hopper is discharged from the front fence. If there is a place where the mixing can not be, you can properly adjust the angle of the hopper to achieve the best mixing effect.
6. After completing the work, the concrete left at the bottom of the mixing hopper should be cleaned up in time to prevent it from drying out and placed in a dry place for the next use.

IV. Maintenance Instructions

1. Thoroughly clean surfaces of all mud, dirt and grease.
2. Check for visible signs of wear and repair broken or damaged fittings as necessary to avoid affecting the next use.
3. Check all bolts, nuts and screws and tighten all loose nuts, nuts and screws.
4. Check the hydraulic system and solenoid valve set, tighten all slack piping connections.
5. Regularly check the sealing condition of the equipment, and check the quality of the gasket in time if any slurry leakage is found.
6. Fill all lubrication points (I, II, III) with grease (once per shift), and remove the sprocket cover when I and II are filled with grease (Figure III).

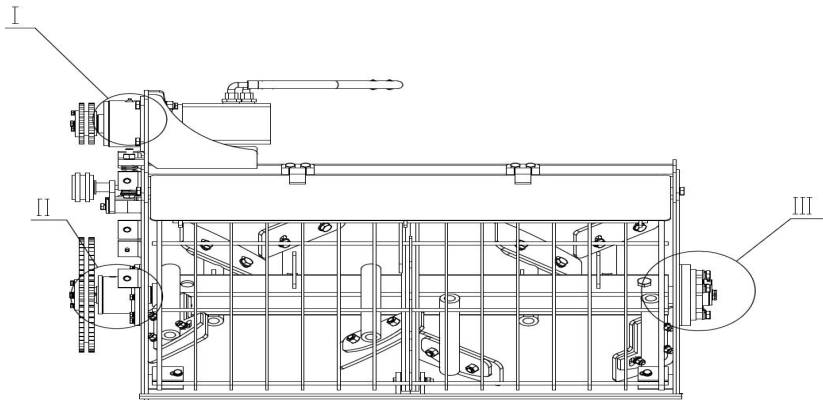


Figure 3: Grease filling position.

1. The gear chain should be lubricated with oil every 3 months, and the sprocket tensioning device should be checked and adjusted regularly every 1 month to ensure the tension.
2. Replace damaged or blurred labels.
3. If the paint is peeling off or damaged, please make up the paint in time to prevent rust.

Warm tips:

① Routine maintenance of the machine can effectively extend the service life of the machine and improve the efficiency of the product.

② need to replace parts, only the parts approved by the manufacturer.

Please pay attention to the protection of the product nameplate, the product nameplate is mutilated or lost will not be able to warranty.

五 V. storage Instructions

1. When entering the warehouse, put the machine on the partition and prohibit direct contact with the ground.
2. It should be stored in dry and safe place, exposure will shorten the life of the equipment.
3. Hydraulic lines are closed up with oil port caps.
4. Grease all leaking cylinder rods.
5. service and maintain this machine regularly.



HCN ATTAMCHMENTS CONTENT YOUR NEED

Our contact information:

Address: No.1 Huake Road, Xuzhou Economic
and Technological Development Zone,
Xuzhou, China

Postcode: 221004

Tel: 0516-66881280 66881281

Fax: 0516-66881272

Website: <http://www.hcn-atta.com>



PRODUCT OPERATION MANUAL

Product Model: 0310 B Concrete Mixing Bucket

Preparation date: 2018.9.1

XUZHOU HCN ATTACHMENT MANUFACTURE CO., LTD.

Warm reminder:

Please read the manual carefully before installing and using the product.

CATALOGUE

1. Safety Instruction	2
2. Product Structure Instruction	3
3. Operation Instruction	4
4. Maintenance Instructions	5
5. Storage Instructions	5

I. Safety Instructions

1. Always read this manual carefully before installation

Operators and maintenance personnel must read and familiarise themselves with the manual carefully before installing, operating or maintaining the machine. Improper installation, operation or maintenance of the machine will likely result in serious injury or death.

2. Read and familiarise yourself with all safety statements

- ※ Read and familiarise yourself with all safety marks and safety statements before working;
- ※ Follow all occupational safety regulations, local laws and regulations, and other guidelines for professionals when operating;
- ※ Follow good work practices when assembling, repairing, and operating.

3. Familiarise yourself with the machine

- ※ Familiarise yourself with the performance and parameters of the machine before operation;
- ※ Check the machine carefully before operation and make sure that all devices are properly adjusted;
- ※ Ensure that the machine is securely installed, replace any parts that may be damaged, and ensure that all hydraulic connectors and hydraulic devices are securely connected;
- ※ Ensure that all safety markings are in the correct place and that they are legible. 4. Wear protective clothing.

4. Wear protective clothing

Wear protective clothing and protective goggles or masks to prevent injury from splashing during operation. 5.

5. Do not modify the machine in any way.

6. Maintain the machine safely

- ※ When servicing the machine, lower the machine to a level surface and keep it away from traffic and other dangerous places. If the machine needs to be lifted for servicing, it must be stabilised with a solid object beforehand;
- ※ Use special tools as specified in the operating procedures. If you do not have a special tool, you can use a similar tool, but if a

common tool can cause this or that kind of damage to the parts, you must use a special tool.

7. Safe operation of equipment

- ※ Do not operate the machine if you are drunk or under the influence of drugs;
- ※ If someone enters the hazardous area of the operation, stop the operation of the machine immediately, and when stopping the operation, place the machine flat on the ground.

II. Product Instruction

1、Product Structure Instruction (Figure 1):

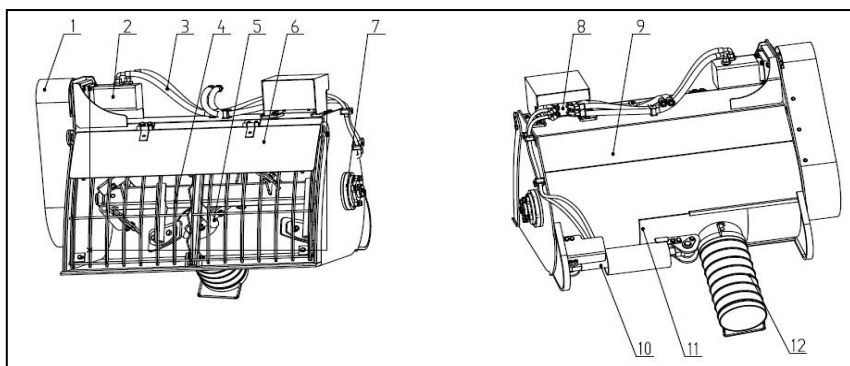


Figure 1

- 1-Gear cover; 2-Motor; 3-Hydraulic part; 4-Fence; 5-Winch;
6-Cover (optional)); 7-Bearing housing; 8 -Solenoid valve;
9-bucket body; 10-cylinder; 11-slip guide; 12-discharge hose

2、 Technical performance indicators:

Concrete Mixing Bucket (Lower Discharge) Technical Parameters		
Model	0310B04	0310B06
Overall length(mm)	1212	1212
Overall width(mm)	1500	1800
Overall height(mm)	1015	1015
Production capacity of one bucket(m3)	0.45	0.6
Flow rate(l/min)	60-110	60-110
Maximum allowable pressure(MPa)	21	21
Theoretical weight (including hanging parts)(kg)	580	680
Power supply voltage	DC12V/24V	DC12V/24V
Length of discharging hose (mm)	2000	2000
Discharge method	Front/Bottom Discharge	Front/Bottom Discharge
Used model	Skid Steer Loader / Mini Loader	

Applicable models: skid steer loader, small loader

Note: ① concrete raw material stone size less than 20mm; ② each time the mixing capacity of the material by the customer according to the actual lifting capacity of the host and the following table of the weight of concrete per cubic metre to judge for themselves.

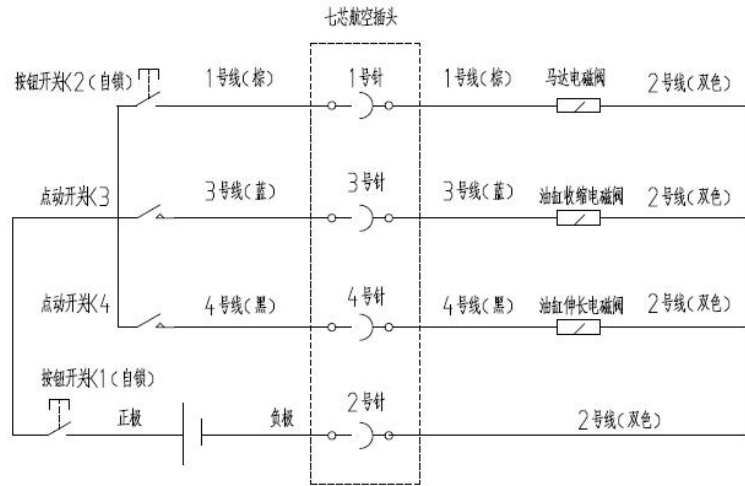
Concrete type	C20	C25	C30
Weight Kg/m ³	2396	2400	2430

Figure 2

P.S. The product is constantly updated and improved, we reserve the right to change the parameters and design without prior notice to the user, the appearance of the product in the photo may differ from the actual product, the specific in kind shall prevail.

3. Electrical wiring instructions (Figure 2):

The wire adopts four-core wire, two-colour wire earth wire; brown wire connects to the motor control solenoid valve; blue wire connects to the cylinder contraction control valve; black wire connects to the cylinder extension control valve. When wiring the aviation plug harness and hydraulic hose and fixed with cable ties, the host end of the aviation plug for the male, the machine end of the aviation plug for the female. In the cab when connecting power from the host 15A fuse after access (recommended from the lighting headlight line to pick up power), is strictly prohibited from the battery direct access. All wiring, pressure line, be sure to connect firmly, prohibit false connection, leakage, short connection.



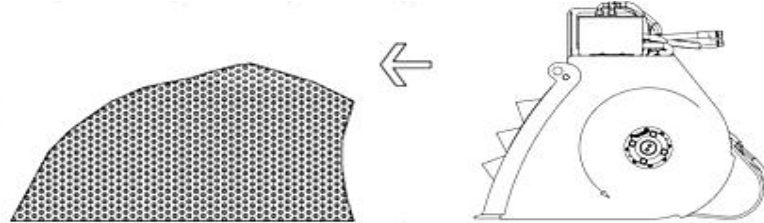
III. Operation Instruction

This machine is installed in front of the loader, relying on the loader to travel for loading materials and relying on the loader to provide power for mixing operations. The mixing hopper has reasonable structure and is suitable for construction sites, roads and other construction types of work. The specific operation is as follows:

Note: Please ask the customer to add the limiting block (collecting bucket, tipping bucket) by themselves according to the host!

1. Connect the concrete mixing hopper to the host through the pendant, and connect the hydraulic pipeline (connect the inlet/outlet oil pipe, oil discharge pipe with the inlet/outlet oil port and oil discharge port of the host). Control mode (① aviation plug; ② junction box): If the host is equipped with aviation plug, it only needs to be connected with the matching aviation plug of the mixing bucket to realise the relevant action through the operation of the control handle; if it is equipped with the junction box, it needs to realise the relevant action through the operation of the buttons on the junction box.
2. The mixing bucket winch toggle is designed as a long round hole, with adjustability, according to the actual use of flexible adjustment of the toggle and the bottom of the bucket and the distance between the side panels.
3. Turn on the power switch of the main machine and adjust the direction and angle of the mixing bucket.
4. Before loading materials, ensure that the lower discharge port is closed and the mixing paddle reaches the normal speed before loading. Filling materials (① host drive mixing bucket shovel material (Figure 3); ② manual filling) when filling the number of materials in the hopper should be the same as the working diameter of the winch paddle, should not be too much. After filling the material, the water poured into the hopper should be evenly sprinkled on the material, and the hydraulic system of the driving host will supply oil to the mixing bucket to drive the paddle to stir the material, if the material attached on the surface can not enter into the diameter range of the paddle of

the mixing bucket, please ask the driver to operate the host to adjust the angle of the hopper, so as to make the edge of the material to fall into the range of the work of the paddle. In order to prevent the concrete from splashing during the mixing process, a cover plate (optional) can be used to cover it. The mixing material shall not exceed the rated capacity of the mixer, and it is strictly prohibited to load the material first and then start it, so as to prevent the mixing



blades from suffocating and stopping. (Note: The direction shown by the arrow in Figure 3 is the direction of rotation of the winch; before loading materials, make sure to remove the discharge hose first)

Figure 3: Mainframe drive loading

1. Before unloading, see if it is necessary to add the unloading hose according to the actual demand. The cylinder contracts to open the discharge port and start unloading until the unloading is complete.
2. Repeat the 4 operations before finishing the work.
3. After completing the work, clean up and rinse out the residual concrete at the bottom of the mixing bucket, prevent it from drying out and place it in a dry place for the next use.

IV. Maintenance Instructions

1. Thoroughly clean surfaces and inside the bucket of all residual concrete, dirt, grime and grease.
2. Check for visible signs of wear and repair broken or damaged fittings as necessary to avoid interfering with next use.
3. Check all bolts, nuts and screws and tighten all loose nuts, nuts and screws.
4. Check the hydraulic system and solenoid valve set, tighten all slack piping connections.

5. Grease all leaking cylinder rods.
6. Fill all lubrication points (I, II, III) with grease (once per shift), remove gear cover when filling I and II with grease (Figure IV).

Figure 4: Grease Filling Position

1. The gear chain should be lubricated with oil every 3 months, and the sprocket tensioning device should be checked and adjusted regularly every 1 month to ensure the tension.
2. In order to ensure lubrication and sealing, apply grease regularly every week at the contact place of slide guide and bucket body.
3. Replace damaged or blurred labelling tags.
4. If the paint is peeling off or damaged, please make up the paint in time to prevent rusting.

Warm tips:

- ① Routine maintenance of the machine can effectively extend the service life of the machine and improve the efficiency of the product.
- ② need to replace parts, only the parts approved by the manufacturer. Please pay attention to the protection of the product nameplate, the product nameplate is mutilated or lost will not be able to warranty.

V. Storage Instructions

1. When entering the warehouse, the unloading hose is removed and the machine is placed on the partition, and direct contact with the ground is prohibited.
2. Should be stored in dry and safe place, exposure will shorten the life of the equipment.
3. Hydraulic lines are closed up with oil port caps.
4. Grease all leaking cylinder rods.
5. Service and maintain this machine regularly.