



HCN ATTAMCHMENTS CONTENT YOUR NEED

PRODUCT OPERATION MANUAL

Our contact information:

Address: No.1, Huake Road, Xuzhou Economic and
Technological Development Zone
Zip code : 221000
Phone: 0516-66881280 66881281
FAX: 0516-66881272
Website: www.hcn-atta.com

Product model: 0209 Snow Blower

Preparation date: 2024.05.30

XUZHOU HCN ATTACHMENT MANUFACTURE CO., LTD.

CATALOGUE

1.Safety instructions	2
2.product description	3
3.operation notice	4
4.maintenance instruction	5
5.Storage instructions.....	6

Safety instructions

General safety instructions

1. Read the manual carefully before installation

Operation and maintenance personnel must carefully read and be familiar with the manual before installing, operating and maintaining the machine. Incorrect installation, operation and maintenance of the machine may lead to serious injury and even death.

2. Read and understand all of the safety claims

※ Read and familiarize yourself with all safety markers and safety statements before work;

※ Please with all occupational safety regulations, local laws and regulations and other professional guidelines;

※ Take good care of the machines and tools for assembly, operation and maintenance, and follow good working habits.

3. Familiar with machines

※ Be familiar with the performance, parameters and operation of the machine before operation;

※ Carefully check the machine before starting, when all safety devices are operating normally, the machine can be turned on;

※ Please replace the potentially damaged parts in time to ensure that the machine is firmly installed and that all hydraulic devices and joints are firmly connected;

※ Ensure that all safety markers are placed in place and marked.

4. Do not modify the equipment in any form, so as not to affect the use of performance

5. Safe to repair machines

- ※ Maintenance must wear fitted work clothes, if you have long hair, must wear a hat to protect, in order to prevent involved in the machine;
- ※ During maintenance, the machine should be parked on the appropriate open level road, away from traffic and any other places with safety risks;
- ※ Please use the correct tools for the repair.

7. Safe to operate the machine

- ※ Do not operate the machine casually, unless you have been professionally trained, qualified and approved, and are familiar with the machine performance, parameters and safe operation procedures;
- ※ When the machine is starting and running, the operator must not leave the machine. If the operator is to leave, he must close the engine and unplug the key.

Machine safety instructions1.

Operational safety

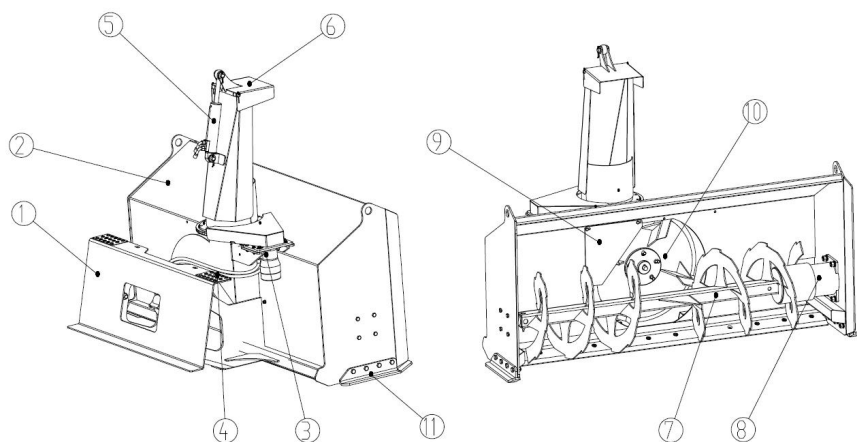
- ※ Bystanders should stay away from the machine, generally 3 meters away from the machine;
- ※ The operator must be healthy, drunk operation is strictly prohibited;
- ※ Before stopping the main engine, first drop the machine and put it on the ground, and then stop the main engine and lock the brake;
- ※ When using, the flow and pressure should be adjusted appropriately, it is best not to be higher than the rating, otherwise it will affect the service life of the machine, seriously, the machine will be damaged;
- ※ Working environment requirements: flat ground, open vision.
- ※ It is forbidden to touch the device in a non-static state or during work, Especially for the rotating parts.
- ※ Non-professional personnel are prohibited to refit the equipment without

permission

- ※ During the normal operation of the snowblower, pedestrians are forbidden to stand on the side of the direction of the cone to avoid falling damage.
- ※ Non-are prohibited from operate the equipment

Product description

(1) Product structure description



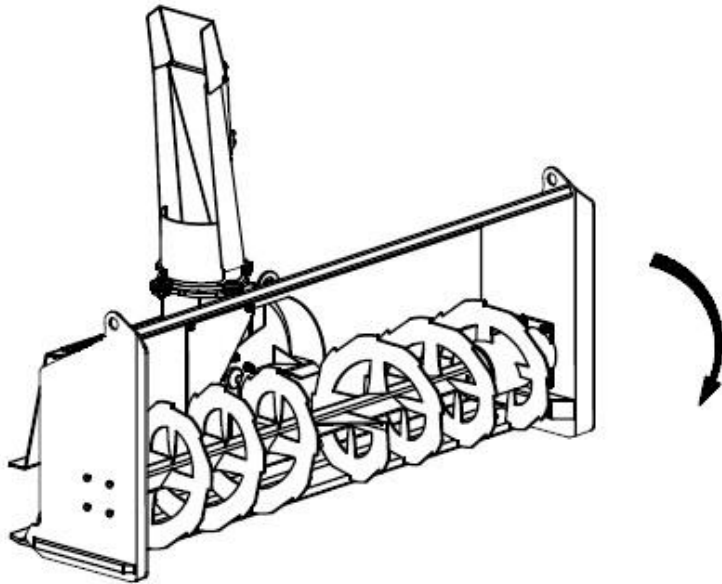
- (1) pylons
- (2) The snow bucket
- (3) Steering motor assembly
- (4) foot plate
- (5) hydro cylinder
- (6) loam cake
- (7) auger
- (8) Motor mounting cylinder
- (9) snow boards
- (10) impeller
- (11) Sliding boot board

(2) Main technical parameters of the product

0209H Technical parameters of snow-blower machine		
Model	0209H84	0209H72
Total length (mm)	1120	1120
Total width (mm)	2200	1896
Total height (Low throw standard) (mm)	1695	1695
Total height (High throw optional) (mm)	3458	3458
Transportation height (mm)	1593 (low) /2160 (high)	1593 (low) /2160 (high)
Operation weight(Include pendant) (kg)	554 (low) /600 (high)	520 (low) /570 (high)
Operation mode	Electro- hydraulic control	Electro- hydraulic control
Angle of rotation (°)	270(low)/20 (high)	270 (low) /200 (high)
Maximum loading height (High throw optional) (m)	3.3	3.3
The farthest distance to throw snow (m)	12	12
Hydraulic flow (L/min)	120-150	120-150
Allow maximum pressure (Mpa)	20	20
Adapt to the host (high flow capacity)	Skid steer loader	Skid steer loader

Operation notice

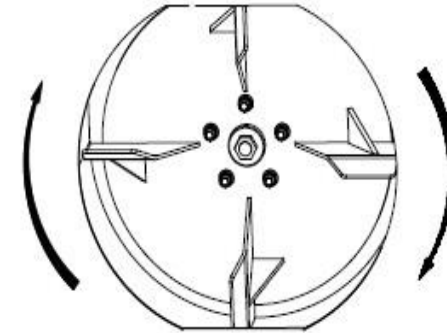
- (1) Before use, check whether the connecting parts of all the fasteners of the machine are firm, and ensure the firm before installation and use;
- (2) Install the machine on the main machine to ensure that the connection part is fastened reliably;
- (3) Connect the oil inlet and outlet of the machine and the oil outlet of the main engine respectively;
- (4) The rotation direction of the snow rolling device has a function in one direction. Open the host and move the snow rolling device in the direction shown in the following figure:



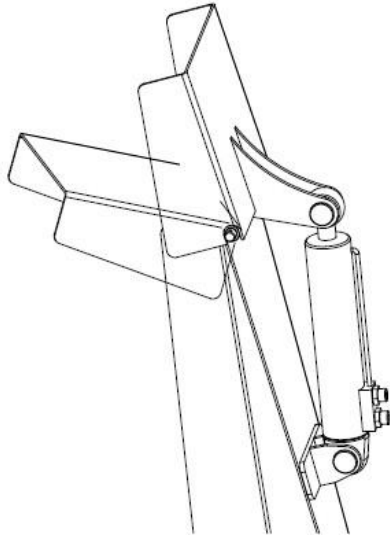
Similarly, the rotation direction of the snow throwing device also has a role in a single direction. When the oil port is the extension direction

of the snow throwing motor, the oil port of the motor output shaft is clockwise

Direction rotation. That is, the snow throwing impeller rotates clockwise, as shown in the figure blow



- (5) Control the handle to change the snow blowing distance and adjust the snow throwing height; as shown in the figure:



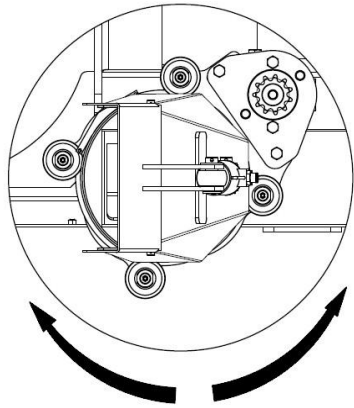
Maintenance instruction

Regular maintenance is the key to maintain the long life and safe work of the machine!

- (1) Check whether all the fasteners are loose, and tighten them in time;
- (2) Check the hydraulic system of the machine, whether there is leakage phenomenon. If there is, replace the leaked tubing joint or tubing in time;
- (3) Check whether the parts on the equipment are damaged, the solder joints are cracks, and repair them if necessary;
- (4) Fill the lubricating oil regularly, generally no more than 8 hours plus once. Add the lubricating oil at the snow coil installation seat and the sprocket chain.

Storage instructions

- (1) After the completion of the operation, all the debris, dirt and grease on the machine should be cleaned up;
- (2) The machine should be stored in a dry and non-corrosive environment to avoid rust on the surface of the machine;
- (3) When the machine is placed, there should be a fixed positioning bracket, so that the next time, the host is convenient to connect the machine.
- (4) Do not place in the open environment, should be placed in the warehouse, to avoid hose corrosion and damage.
- (5) After the completion of an operation, timely clear the debris and dirt of the machine and other parts;
- (6) In the maintenance work, be sure to close the host engine, and hang the warning board with "in repair" in the obvious position of the host, to prevent others from approaching;
- (7) When the parts need to be replaced, only the parts approved by the manufacturer can be replaced.
- (8) Adjust the rotation direction of the motor at the bottom as required; as shown in the figure:



(9) Lower the machine down to the ground, so that the sliding boot board and the ground contact, the host to the target area for operation, so as to achieve the best use effect;

※ Please pay attention to the protection of the product nameplate, the product nameplate is incomplete or lost will not be guaranteed.