



HCN ATTAMCHMENTS CONTENT YOUR NEED

PRODUCT OPERATION MANUAL

Our contact information:

Address: No.1 Huake Road, Xuzhou Economic and
Technological Development Zone,
Xuzhou, China

Postcode: 221004

Tel: 0516-66881280 66881281

Fax: 0516-66881272

Website: <http://www.hcn-atta.com>

Model name: 0207I trencher

Preparation date: 2024.7.1

XUZHOU HCN ATTACHMENT MANUFACTURE CO., LTD.

★ Tips: Please read the user manual carefully before product
installation and use

CATALOGUE

1. Safety Instruction	1
2. Products Instruction	2
3. Operation Instruction	3
4. Maintenance Instructions	4
5. Storage Instructions	4

One .Safety instructions

1. Read the manual carefully before installation

Operation and maintenance personnel must carefully read and be familiar with the manual before installing, operating and maintaining the machine. Incorrect installation, operation and maintenance of the machine may lead to serious injury or death. It takes a lot of time learning and reading the operation instructions and procedures, which is crucial for the safe and effective operation of the machine.

2. Read and understand all of the safety statements

Read and familiarize yourself with all safety markers and safety statements before work;

Compliance with all occupational safety regulations, local laws and regulations and other professional guidelines;

Follow good working habits during assembly, maintenance and operation.

3. Familiar with machines

Familiar with and understand the performance, parameters and operation conditions of the machine before operation;

Check the machine carefully before departure, and you can only start the machine when it is determined that all the safety devices are normal;

Ensure that the machine is installed firmly installed, replace parts that may be damaged, and ensure that all hydraulic joints and hydraulic devices are firmly connected;

Ensure that all safety markers are placed in the correct position and that the logo and font are clear.

4. Wear protective clothing

Wear a long-sleeved shirt with tight cuffs, protective goggles, face mask and dust mask, and cause damage to the human body when placed.

5. Do not modify the machine in any form

6. Safe repair machine

Park the machine on the appropriate level road, away from traffic and other dangerous places;

Use the correct tool for the repair.

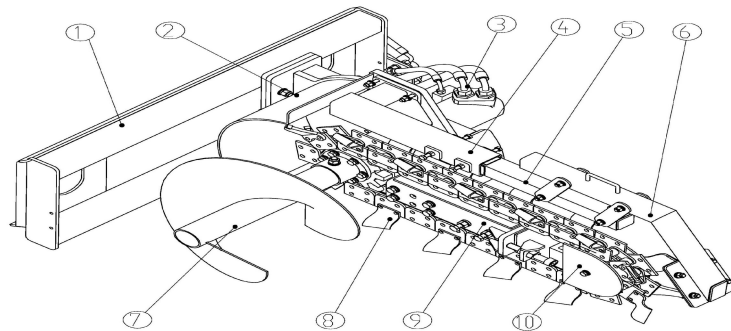
7. Safe operation of the machine

Do not operate the machine casually, unless you have passed the professional training, and are familiar with the machine performance, parameters and safe operation procedures;

When the machine is running, the operator must not leave the machine, if to leave, must stop the engine and unplug the key.

Machine safety instructions

1. Choose the appropriate site



The main working medium of this kind of trench machine is soil, so the work site must be selected, to avoid underground gravel and such hard objects, to prevent damage to the tool.

2. Safe in operation

During the operation, adhere to all government rules and regulations, local laws and regulations and others.

Bystanders should stay away from the machine, generally 3 meters away from the machine;

The operator must be healthy, prohibit drunk operation;

Before stopping the host, put the opening chain flat on the ground, and then stop the host and lock the brake;

The use of the flow rate and pressure adjustment should be appropriate, not higher than the rated value;

product description

Product structure description

(1) - -Rear hanger (2) - -mounting frame (3) - -hydraulic system (4) - -earth collecting support (5) - -telescopic pipe (6) - -earth collecting frame (7) - -stranded (8) - -chain (9) - -moving device (10) - -tightening device

2. Technical performance indicators

Technical parameter table		
model	020724 I	020736 I
length (mm)	1750	2020
width(mm)	1170	1170
height (mm)	800	800
Weight (excluding pendant) (kg)	330	425
@65 Ditch depth (mm)	700	900
Open ditch width	150	150
flow (l/min)	80-100	80-100
Maximum allowable pressure (MPa)	21	21
Hanging model	Skid steer loader / excavator	

three. operation declaration

1. Before use, ensure that all parts are installed in good condition, and the operators should read and be familiar with the safety rules and have a good

mental state;

2. After starting the main engine, connect the host quick change mechanism with the machine and tool pendant, pull the rocker, and make the quick change mechanism and the machine and tool pendant pin hold firmly

3. Raising or lowering the trench opening machine is achieved by properly controlling the height of the main engine arm. Note-Avoid high shelves, telephone lines or branches, etc. which may lead to serious injury or death.

4. Start the machine to rotate the chain, lower the gutter to the ground, and then the host back and ditch.

5. The trench machine should work 65 degrees with the ground as far as possible to ensure the opening operation.

6. The power of the opening machine is provided by hydraulic oil. The speed and size of the power of the machine are determined by the flow of hydraulic oil in the hydraulic system, and its speed is adjusted by the speed of the engine. If you want to increase the speed of the opening machine, it is necessary to increase the speed of the engine. If you want to reduce the speed of the machine, you need to reduce the speed of the engine.

7. Do not make the engine full when the first start, otherwise it will increase the impact on the machine and the operator.

8. In order to make the operation more convenient and more reliable, the ditch opening machine should be lowered as far as possible to prevent accidental action.

9. In wet weather (rainy days), the opening machine is not good.

10. It is strictly prohibited to use the trench opening machine unreliably and thoroughly, so as not to damage the parts and cause accidents.

11、 The blade should not be used when installed in the opposite direction, otherwise it will not work normally, but also cause casualties.

12. When the ditch opening machine is driving on the road, it should cut off the power of the tool, so that the knife tip is more than 15 cm from the ground, and the driving speed should not be too high, so as not to damage the parts or cause accidents due to excessive vibration.

13、 During the trench operation, the pull rope or benchmarking method should be used to ensure the straightness of the trench. It is strictly prohibited to stand in the soil area to prevent broken bricks and tiles from flying out. The operator should wear protective glasses.

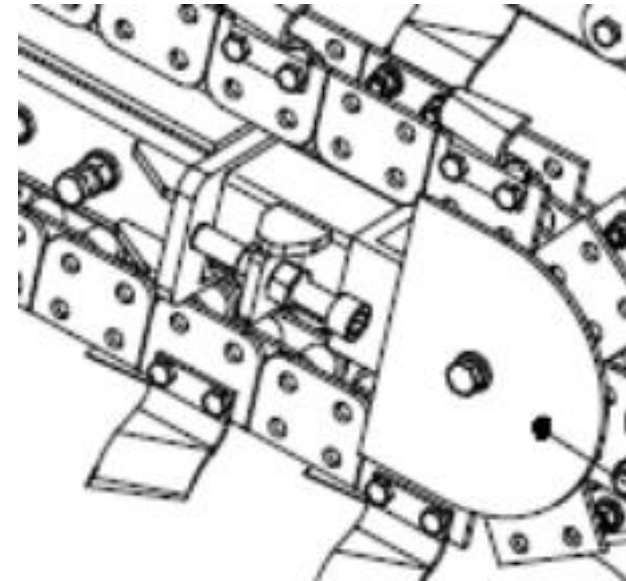
14、 To choose no gravel, broken bricks, sticks and other debris of the field operation, dry soil to ensure the quality of operation. It is strictly prohibited to work in old house bases, old road sites and other similar places to prevent broken blades and other parts.

15、 Due to the limitation of the mechanical structure, the area close to the field and the wall cannot be opened.

16、 In the daily inspection, adjustment or replacement of parts, the operation must be stopped. It is strictly prohibited to clear the soil accumulation and check the adjustment while opening the trench.

17、 The excavation chain should not be too tight, but should not be separated from the sprocket or idler, so there should be a regulating device. There should be adjustment bolts on the left and right sides of the arm end of the opening machine, and the locking nut should be equipped with the adjustment nut. In order to tighten the chain and rotate the adjustment nut to the appropriate position, turn the standard nut to the place of the

adjustment bolt, which will push the chain skeleton to move out, so tighten the chain. Try to loosen the chain in the opposite way.



four. maintenance instruction

Before and after use, necessary inspection. Each rotating part shall rotate flexibly, and the blade shall be installed in the correct direction

Thoroughly clean all dirt, dirt and grease on the surface

Seal the hydraulic tubing and motor interface

Check the connecting bolts and tighten all the loose bolts

Replace the damaged or ambiguous labels

Replace the new elastic ring regularly, and remove the aging elastic ring.

Note: the blade is a vulnerable part, please replace the blade regularly

(according to the use environment)!

Tip: In order to improve the service life of the blade, we should ensure that there is no excessive hard objects in the working area as much as possible

Five Storage instructions

1. During storage, the blade shall not touch the ground to prevent corrosion of the blade and shorten the service life of the blade
2. When storage, the hydraulic tubing and motor interface shall be sealed to thoroughly clean all the soil, dirt and grease on the surface
3. After use, clean the trench opening machine with a high-pressure water gun
4. Do not put heavy objects on the trench machine, otherwise it will deform the blade and damage the performance of the trench. In order to avoid this problem, the trench machine should be placed on the board.
5. The chain device is cleaned and then stored in the warehouse, and the tightening mechanism is adjusted.
6. Replace the aging elastic retaining ring regularly.

Please pay attention to the protection of the product nameplate, the product nameplate is incomplete or lost will not be guaranteed.