



HCN ATTAMCHMENTS CONTENT YOUR NEED

PRODUCT OPERATION MANUAL

Our contact information:

Address: No.1 Huake Road, Xuzhou Economic and
Technological Development Zone,
Xuzhou, China

Postcode: 221004

Tel: 0516-66881280 66881281

Fax: 0516-66881272

Website: <http://www.hcn-atta.com>

Model-Name: 0205 Vibratory Roller

Preparation date: 2024.06.04

CATALOGUE

1. Safety Instruction	2
2. Products Instruction	3
3. Operation Instruction	4
4. Maintenance Instructions	4
5. Storage Instructions	5

Safety instructions

Before using this tool, the operator must read and learn the following content carefully, and a simple understanding of the product. Before use, the operator should note the following:

1. Read the operation instructions of the host carefully, get familiar with the host and understand its performance, and how to operate and use it;
2. Understand all the safety labels on the host and tools, and keep the labels clean. Please do not paint, move or damage any safety labels. If there is damage or blurred handwriting, it should be replaced immediately;
3. Keep the equipment surface clean and free of oil pollution. If there is any oil pollution, clean it up immediately;
4. Check the auxiliary hydraulic pipeline system before work;
5. Before using this device, check that the hanger at the installation junction is free from loosening, breaking or sliding.

Notes at work:

Check the device carefully and never use it under any safety hazard:

Check all connections are normal before use;

Check for damaged or broken hydraulic lines or connections;

The user shall be familiar with the performance and use requirements of this device;

Determine whether the genus device has been firmly installed before work;

It is strictly prohibited to stand on the device, whether working or not;

There is no pedestrian in front of the machine, the operator should pay

attention to;

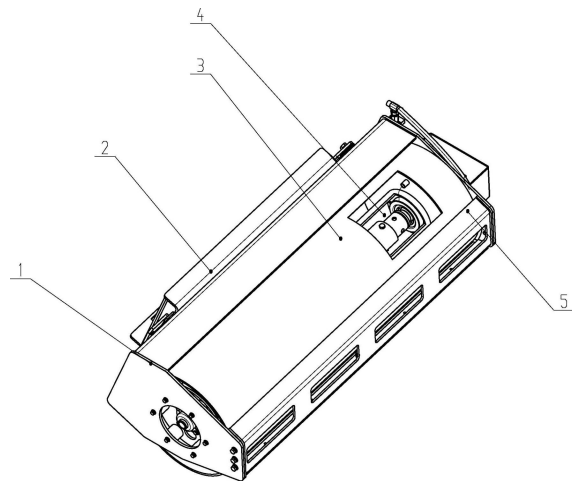
When the operator must leave the job, stop the main engine, so that the common cover is static;

It is strictly prohibited to use the equipment without load, and to work in the collapsed road and dangerous bridge and other road conditions;

Proper protection, to avoid collision, pollution, corrosion, etc.

1、 product description

Product structure description



- (1) Frame (2) hanger (3) vibration cylinder assembly
(4) Independent shock chamber (5) front panel

Product technical parameters

model	020560	020572
length (mm)	980	980
width (mm)	1800	2100
height (mm)	666	666
Vibration wheel diameter(mm)	φ 590	φ 590
Weight (including pendant) (Kg)	890	955
excited force (KN)@ (L/Min)	31 @ 60	37 @ 60
Swing Angle (°)	± 15 °	± 15 °
Work flow (L/Min)	60-70	60-70
Allow maximum pressure (MPa)	20	20
Adapted models	Skid steer loader/Small loader	

operation declaration

Connect the own device to the main engine (such as sliding loader), and connect the oil pipe and drain pipe thrown from the motor with the oil port of the main engine. The main engine supplies oil to the motor, which drives the motor to rotate at high speed. In the rotation process, due to the action of the eccentric block of the vibration shaft, there is a great eccentric force, so the vibration wheel has a great vibration force. Because the excitation force is used on the ground, the pressure will be applied to the ground to achieve the effect of compacting the pavement.

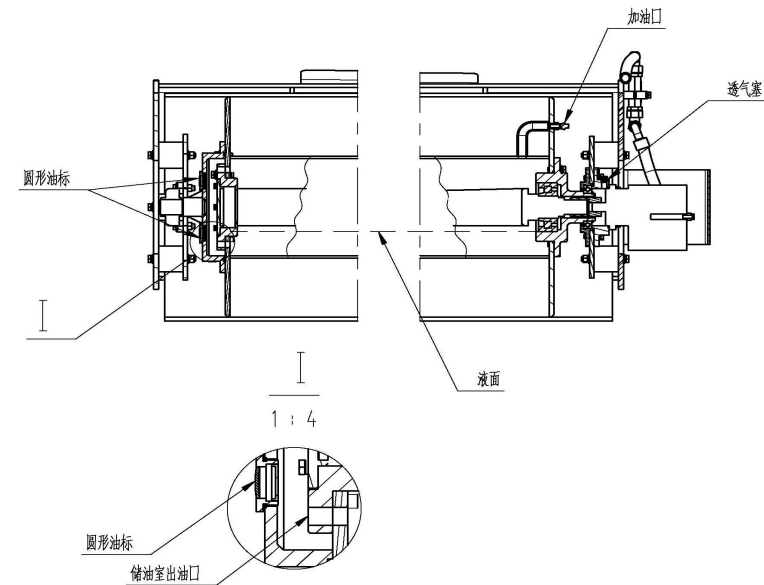
1. Connect the vibrating compactor to the main engine through the pendant, and connect the hydraulic tubing to the main engine;
2. Start the main engine, the main engine to the vibration compactor motor oil, drive forward;
3. In the process of driving, if the ground is uneven or inclined plane, the vibration compactor will automatically swing left and right (offset Angle left and right 15 degrees), so that the device is in a balanced state;
4. After the work is completed, the subordinates will be lifted down flat.

The back pressure on the oil back is 1 Mpa

maintenance instruction

- 1、 Thoroughly clean all soil, dirt and grease;
- 2、 Check all bolts, nuts and screws for loosening, and tighten the loose bolts, nuts and screws;

- 3、 Check the hydraulic system, tighten the loose joint connected with the motor oil port or check valve, and replace the damaged joint and hose timely;
- 4、 Replace the damaged or ambiguous safety labels;
- 5 If the equipment paint surface falls off, the paint should be repaired in time to prevent rust;
- 6 This is oil lubrication, so check the height of the oil. Through the circular oil label, check the amount of oil in the cylinder (two oil labels are in one plane and perpendicular to the horizontal plane, the oil should reach 70% of the bottom oil scale), if the oil is too low, fill through the refueling port, but not high oil;
- 7 When changing the oil, place the refueling port to the bottom end and remove the plug;



Please pay attention to the protection of the product nameplate, the product nameplate is incomplete or lost will not be guaranteed. Storage instructions

Remove the main gear gear from the main engine (separate the main engine hanger from the main gear hanger and remove the oil pipe connected to the main machine) and place the designated storage location (such as warehouse, workshop product placement area, etc.);

Cover the end of the oil pipe with plastic tape;

The placing position should be dry and ventilated;

Maintain and maintain the equipment.