



HCN ATTAMCHMENTS CONTENT YOUR NEED

Our contact information:

Address: No.1 Huake Road, Xuzhou Economic
and Technological Development Zone,
Xuzhou, China

Postcode: 221004

Tel: 0516-66881280 66881281

Fax: 0516-66881272

Website: <http://www.hcn-atta.com>



PRODUCT OPERATION MANUAL

Product Model: 010215 pallet fork

Date: 2024.6.5

XUZHOU HCN ATTACHMENT MANUFACTURE CO., LTD.

Warm reminder:

Please read the manual carefully before installing and using the product

CATALOGUE

1. Security statement	2
2. Product description	3
3. Operational instructions	4
4. Maintenance instructions	5
5. Warehousing description	6

1. Description of security

1. Always read this manual carefully before installation and use.

※ Operators and maintenance personnel must read and familiarise themselves with the manual carefully before installing, operating and maintaining the machine. Incorrect installation, operation and maintenance of the machine may result in serious injury or death.

2. Read and familiarise yourself with all safety statements

※ Read and familiarise yourself with all safety markings and safety statements before working.

※ Follow all occupational safety regulations, local laws and regulations, and other professional guidelines when operating.

※ Follow good work practices when assembling, repairing, and operating.

3. Familiarise yourself with the machine

※ Familiarise yourself with the performance and parameters of the machine before operation.

※ Check the machine carefully before operation, and make sure that all devices are properly adjusted before operation.

※ Make sure the machine is securely mounted, replace any parts that may be damaged, and make sure that all hydraulic connectors and hydraulic devices are securely connected.

※ Ensure that all safety markings are in the correct position and that the lettering is clear.

4. Wear protective clothing

※ Wear safety clothing and protective glasses or masks to prevent injury from splashing liquids during operation.

5. Do not modify the machine in any way

6. Safe maintenance of machines

※ Maintenance must be lowered to the level of the ground, away from traffic and other dangerous places; if you need to raise the machine for maintenance, you must use a solid object can be cushioned in advance.

※ Specialised tools should be used for maintenance in accordance with the operating procedures. If a special tool is not available, a similar tool of some kind may be used, but a special tool must be used whenever an ordinary tool can cause damage of one kind or another to the part in question.

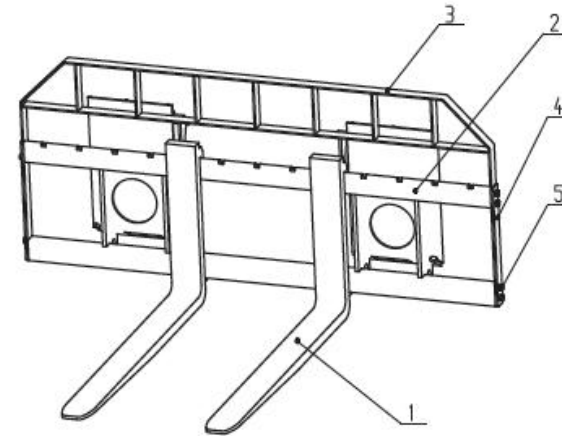
7. Safe operation of the machine

※ Do not operate the machine if you are drunk or have a reaction to medication.

※ If someone enters the danger zone of the operation, stop the machine immediately, and when you stop the operation, place the machine flat on the ground.

2. Product Description

1、 Product Structure Description



①— fork teeth ②— gantry; ③— guardrails; ④— striker plate; ⑤— retaining bolt

2. Technical performance indicators

Pallet Fork Technical parameters		
Model	010215	0102S15
Overall width (mm)	1600	1580
Overall height (mm)	770	885
Fork tine length (mm)	1070	1070
Fork tine pitch range (mm)	220-1540	340-1540
Theoretical weight (Kg)	172	200
Rated load	1.5t	1.5t
Fork tines optional length (mm)	1220/1370/1520/1670	
Configuration	Optional raised guardrail	/

3. Operating Instructions

The pallet fork has the features of simple structure, flexible operation and stable performance, which is widely used in urban and rural gardens, highway traffic, ports and so on.

010215 pallet forks in conjunction with a skid steer loader make it easy to move large packaged or bundled loads, transferring them easily and quickly, ideal for moving lots of goods, parcels and pallets, suitable for use in factories, horticulture or construction settings

① Description of equipment capacity:

The rated load of this type of fork is 1000Kg;

The adjustable range of the fork is 220-1540mm.

② Overloading is not allowed, otherwise it may cause damage to structural parts.

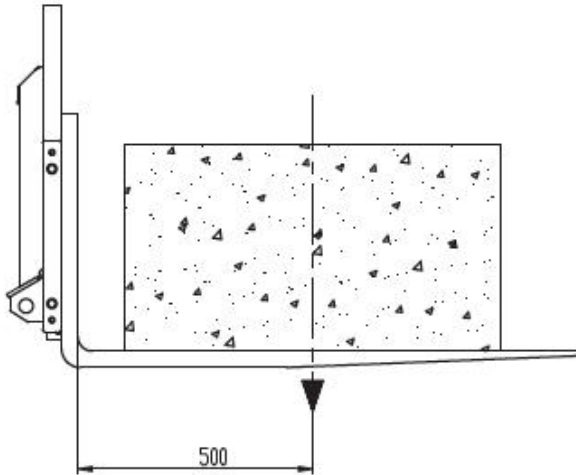
Fork Tine Replacement and Disassembly

Replacement steps:

1. Remove the fixing bolts ⑤ on both sides of the striker plate ④
2. Remove the two side striker plates ④ and guard rails ③
3. Remove the fork tines ① and replace them with new ones.

4. Attach the two side striker plates ④ and guard rails ③.

5. Tighten the fixing bolts ⑤



Standard centre of gravity position of the forks

The centre of gravity of the load should be as close as possible to the standard centre of gravity of the fork tines when forks are used for transporting the load (as shown in the diagram above).

4. Maintenance instructions

1. Thoroughly clean the surface of all mud, dirt and grease.
2. Check for visible signs of wear and repair broken or damaged fittings as necessary to avoid affecting the next use. (Fork tines indicating cracking, etc. are prohibited)
3. Check all bolts, nuts and screws and tighten all slack nuts, nuts and screws.
4. Fill all lubrication points with grease.
5. Replace damaged or blurred labelling tags.
6. If paint is peeling or damaged, touch up paint to prevent rusting.

5. Storage instructions

1. When in storage, place the machine flat on the partition to avoid direct contact with the ground.
2. It should be stored in a dry and safe place, exposure will shorten the life of the machine.
3. Maintain and service this machine regularly.